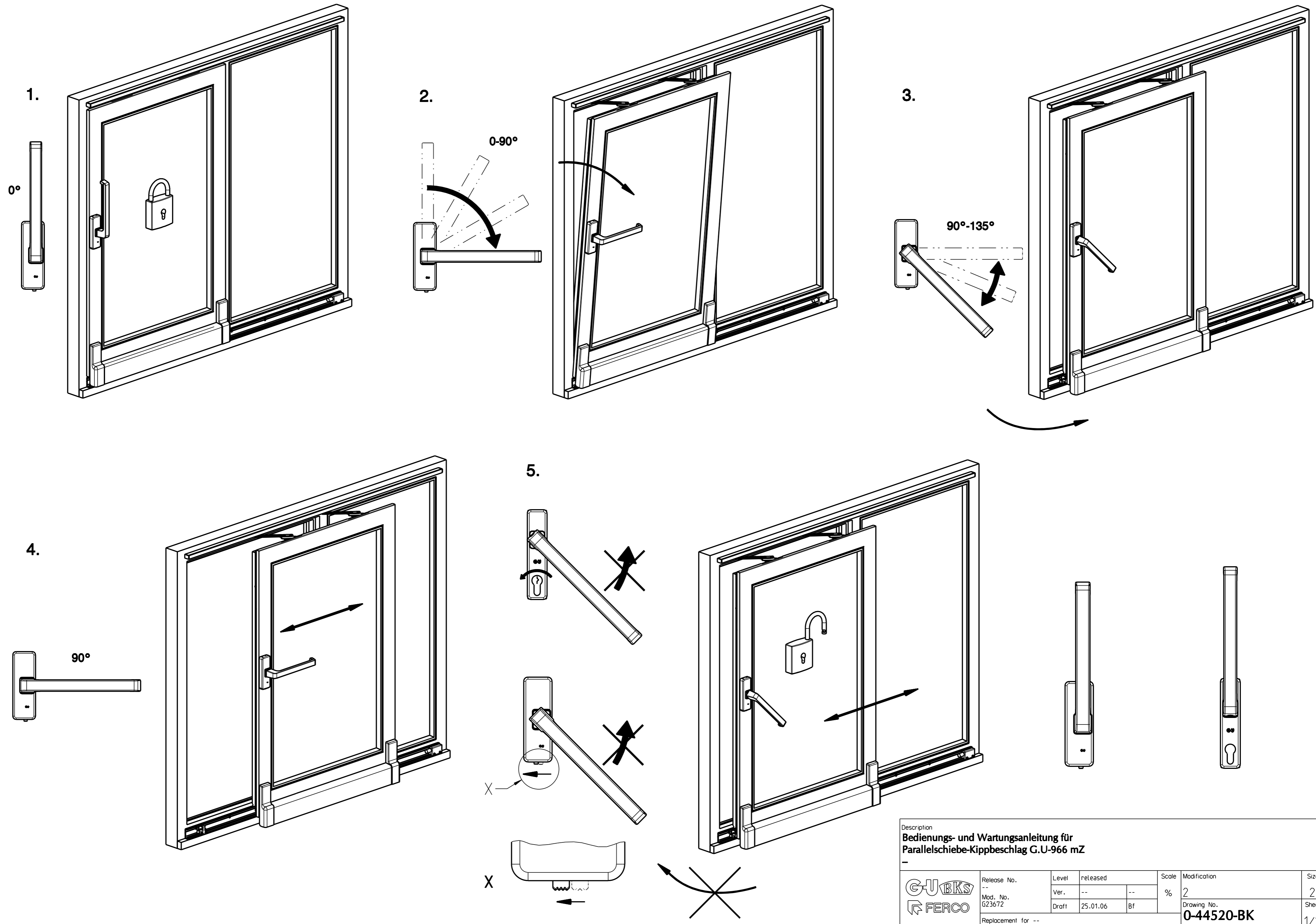


Proprietary rights apply in accordance with ISO 14006.

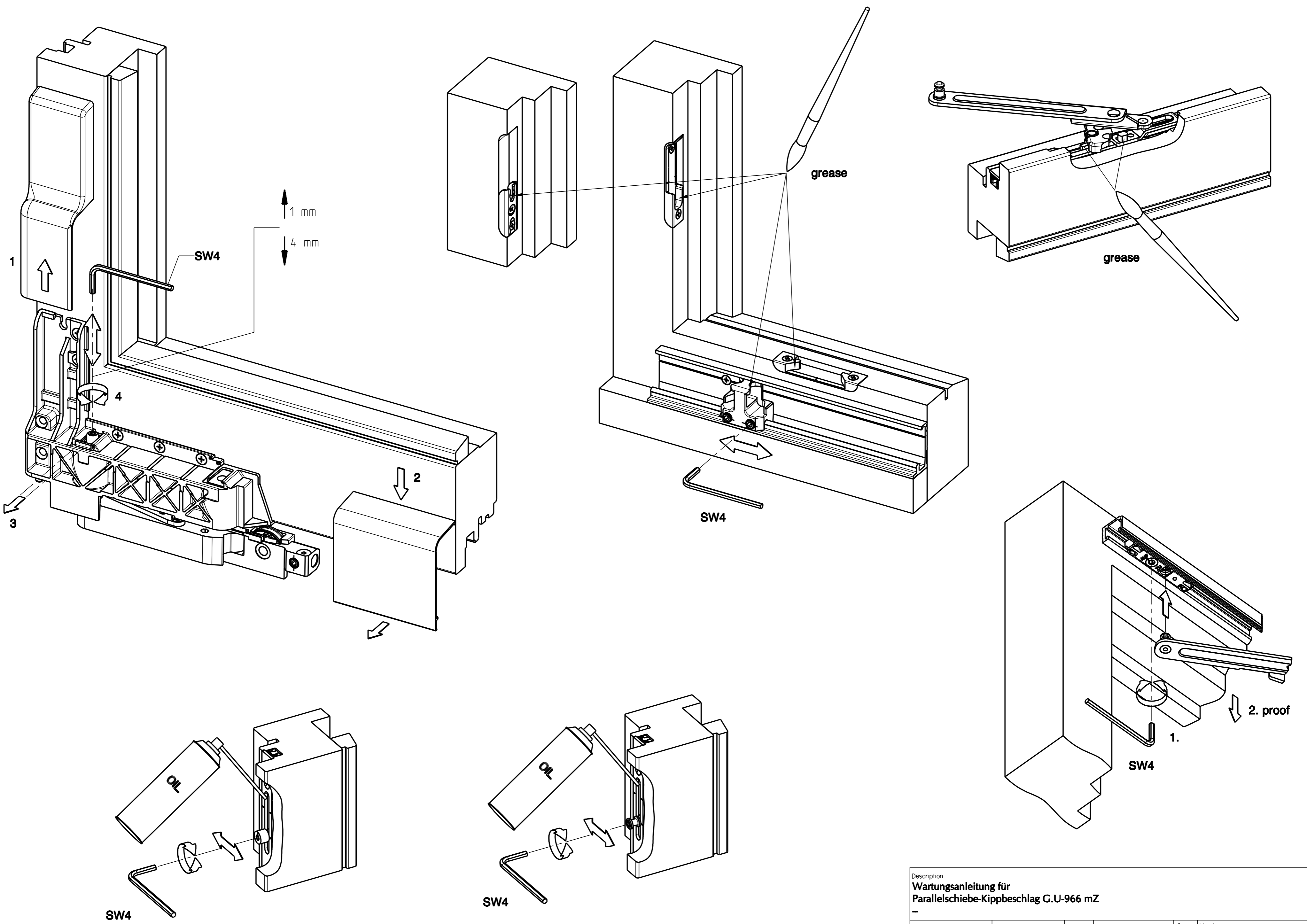
20080521





Description						
Bedienungs- und Wartungsanleitung für Parallelschiebe-Kippbeschlag G.U-966 mZ						
 	Release No.	Level	released	Scale	Modification	Size
	Mod. No. G23672	Ver.	--	--	%	2
Replacement for --	Draft	25.01.06	Bf		Drawing No. 0-44520-BK	Sheet 1/2

Proprietary rights apply in accordance with ISO 14006.

20080521



Description						
Wartungsanleitung für Parallelschiebe-Kippbeschlag G.U-966 mZ						
 	Release No.	Level	released	Scale	Modification	Size
	--	Ver.	--	--	%	2
	Mod. No.	Draft	25.01.06	Bf	Drawing No.	Sheet
	G23672				0-44520-BK	2/2
Replacement for --						